



HOW TO BUILD FLAMENCO CAJON WITH PLYWOOD

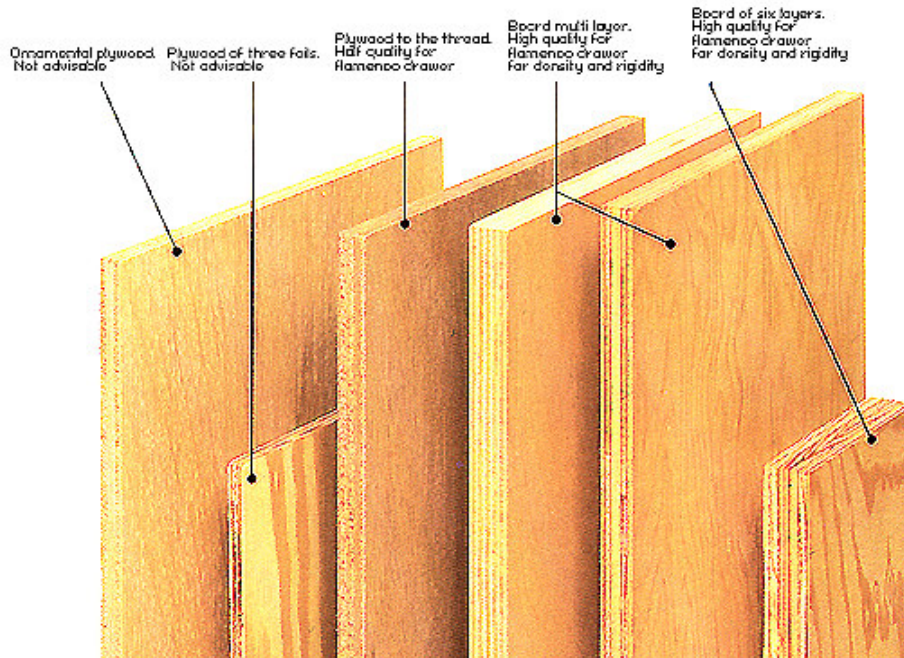
The extinction of the forest space as consequence of a cruel and wild consumption has given place to the appearance of an alternative material that substitutes to the natural wood: The plywood.

By way of intelligent saving, any fine wooden sheet with inferior quality can be recycled to form plywood by means of the overlapping and the one pressed of these. It is not difficult to discover this material in the products of the daily life and of the industry, but although for a bad habit it is already recognized as wood in these sectors, in some as that of the construction of musical instruments is almost impossible the adoption of this material without meaning for it an it decreases of quality in the result.

The ethnic roots of the Cajon are unquestionable, and it has been in PERU where their consolidation like percussion instrument has carved in the history a space free of plagiarisms and invasions. With traditional constructive methods, the use of the natural wood has been the key factor in its sound, and added to a technique of special execution, keeps a lot of difference with the denominated flamenco drawer. When the first Cajon was introduced in Spain, they discovered that its pure character fit to the perfection with the flamenco feeling, but the lack of specialized manufacturers of drawer in the peninsula it justifies in its fair measure the appearance of another drawer with methods of constructive unaware to the Peruvian. It is normal that in industrial countries the one plywood and their varieties are easier of finding, something of thanking for who doesn't dominate the work in noble wood that arrives at the shop in virgin format and it is extremely expensive. All these lacks have had to be substituted by ingenious methods of accentuation of sharp as it is the use of strings of acoustic or electric guitar, box staffs or bells in the most extreme cases. For my to understand and knowledge, it has been given excessive importance to these added as for the acoustic result it refers, leaving aside the true constructive essence of a percussion Cajon, but it doesn't also stop to be surprised the imaginative capacity with which many manufacturers get their purposes. For that reason, although all that explained later on is the same steps to carry out for a professional, it would be absurd to think that we can reach their results without the same experience that they have won with work days. Also, the last control of quality gives it an experienced hearing. I trust for it that you know how to enjoy this work and you allow yourself all the patience of the world.

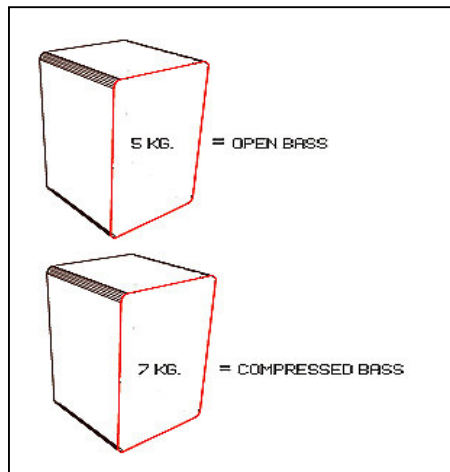
Having clear that will use plywood, you should know that different qualities exist. Although so alone you will choose the one that offers you the next market, but it is good to understand their physical properties, related with the quality and number of badges that form the plywood.

PLYWOOD

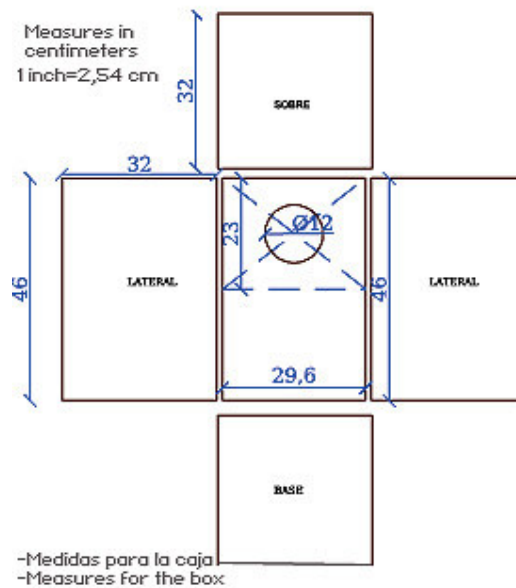


The manufacturer of musical instruments knows the qualities of a wooden class well and that it forms it will affect to the sound of his instrument, for that reason when choosing plywood it is convenient to know his density. In noble wood it is governed by the weight by cubic meter, determined by the strength and solidity of their fibre. On the other hand in wood plywood their density grants it the numbers of badges that compose it.

For the construction of a Cajon we need to find plywood of 12 millimetres of thickness with a considerable density, and then we will keep in mind that to more density their sound becomes worse and to smaller expand:



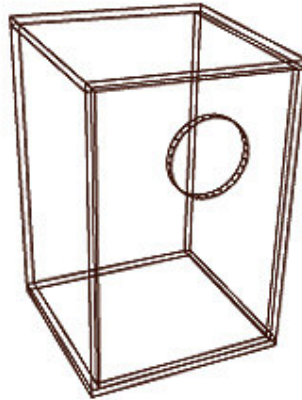
Having clear that sound type looks for, we can come closer the entire possible one and inside our possibilities if we follow the rule of the previous paragraph. We will build with plywood of 12 Mm. of thickness a drawer with the following measures:
48.4 cm. of high, 32 cm. of width and 32 cm. deep



The sound hole will be located in the later part and it will have an advisable diameter of 12 cm. The quantity of space that we allow to give to the exit of air it will influence from a similar way to the density on its final sound:

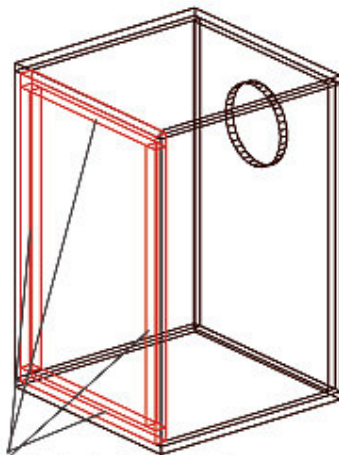
More diameter = sound open or expanded, less diameter = made worse sound or tablet.

We won't use screws neither nails for their assembly, it will be enough with carpenter's white glue and any simple method of pressure that you are happened. The base and the roof support on the lateral ones and the back.



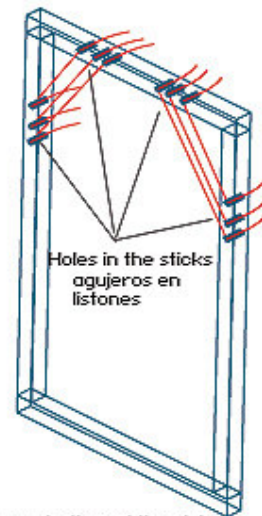
See back of the drawer
Vista trasera del cajon

Now we should prepare the land that will allow the location of the strings that are of acoustic or electric guitar, silk recovered in metal corresponding to the notes o **LA** or **RE (A, D)**. We Prepare some wooden sticks hard (not coniferous as pines or firs that silence the attack) of a maximum 2 cm. wide and 2 cm. deep that will be good us to hold the strings and to give but 1 space to the screws of the cover. They are located in the interior border of the face open of the drawer with white glue and pressure in the drying. The way to hold and to tighten the strings from the interior can be simple, like in the later example in that screws are used for wood, or sophisticated, like it would be the use of guitar tuners or Celtic harp.



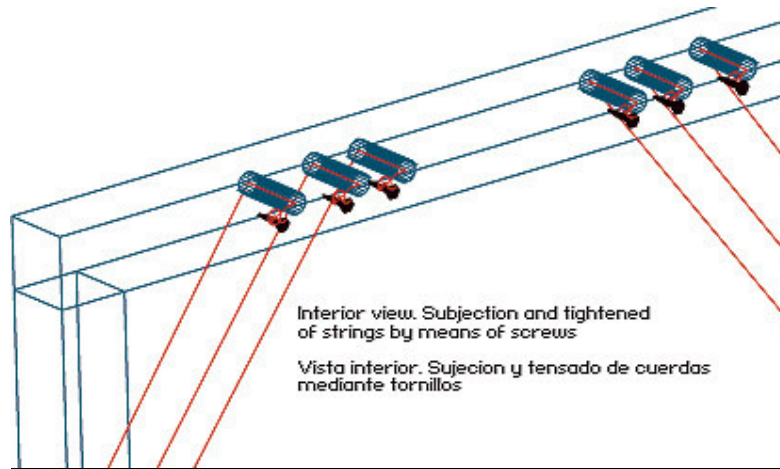
Sticks in the interior border
of 2 cm width and 2 cm of thickness

Listones en el borde interior 2cmx2cm



Holes in the sticks
agujeros en
listones

A way to thread the strings
in the sticks
Colocacion de cuerdas en listones



We will obtain as a result some strings that will play the interior of the cover lightly. In their vibrations we will recognize that sharp of the flamenco Cajon.

The cover.

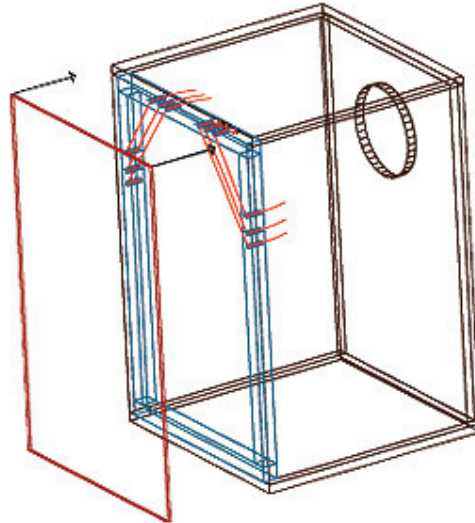
The selection of the material for the construction of the cover is a topic complicated in this constructive adventure again. In this case the use of plywood more than conformity is a necessity. To build a cover wooden nobleman with 4 Mm. of thickness is hardly difficult if they don't restrain technical of joinery, indispensable to avoid in a future warp problems and cracks. So we look for a laminate of 3 or 4 Mm. with the biggest consistency and, if it doesn't convince us their rigidity, we can add him a layer of wooden foil with white glue and to dry it in an alternative press. It is a simple solution for which buys material in a particular and not industrial way, because the best laminate for covers, like it is that of American birch, it is very expensive.

The cover when being hit will be the one that the air that there is in the cavity of the Cajon, moves for that reason it influences the rigidity or consistency a lot of this in the final sound. Another time we apply the same equation that defines the results:

More rigidity or consistency = compressed sound of middle bass

Less rigidity or consistency = sound open of open bass

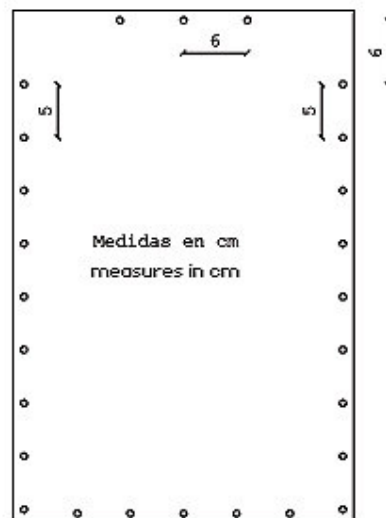
Once well-known our likes place the cover on the drawer to proceed to their closed one, trying that their measures are lightly superior to those of the drawer.



Placement of the cover
Colocacion de la tapa

Next you proceeds to the one screwed of this in their entire perimeter and in the way that is exposed in the following drawing. Many manufacturers opt for the one glued on their third three inferior behaves, leaving with screws the last third part superior. This technique will benefit to the bass sound, because it is nurtured of perfect cover subjection, but you will have problems when you need to change the strings when they break or loosen (something that happens very often, almost with total frequency).

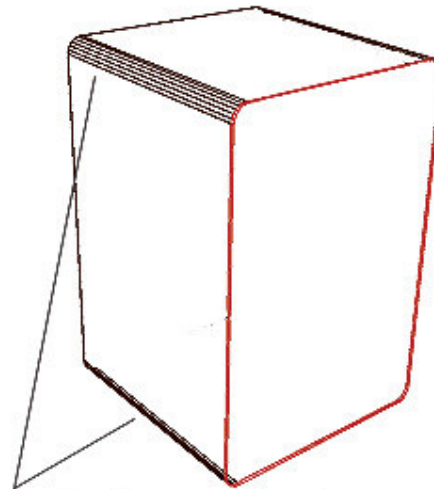
THE COVER / LA TAPA



To be generous with the number of screws will benefit to the bass sound.
No ahorrar en tornillos beneficia al sonido grave

If the strings have been placed correctly, the cover will make them vibrate without problem some, but it can happen that the cover is convexed when they crowd together the screws and that it's internal face doesn't caress them avoiding the vibrations. Then we help ourselves of adhesive paper to make that the strings play the interior face of this.

Now the Cajon is already a percussion instrument, or at least it has been as a good intent, and all that is to make concerns to its finish and aesthetics. Unforgivable it would be not to round the songs or corners to soften it to the tact. It is not necessary to have a manual milling machine for it, with thick sandpaper and certain ability you can get that finish.



Rounded of the corners with sandpaper,
planes or router
-Redondeados de cantos con lija o tupi manual

One of the advantages of plywood is their stability in front of the environment. The natural wood must be carefully treated and lacquered so that the climate and its variations don't affect them in a negative way, but the plywood is exempt of this type of problems and its varnishing could be avoided if it didn't provoke it the one dirtied progressive of the drawer. Also, a bigger number of layers in the cover can grant to this the consistency that he lacked as wood and to improve the sound. Any well-known method of finish is good for the drawer if it is of quick drying, for example, an acrylic varnish of slow drying, it can humidify the material and to bring gets bad acoustic consequences. Anyway always it ends up filtering between the meeting of the cover and the drawer diminishing that crack that we look for in our instrument, for what is convenient to use a cutter or kitchen knife to detach it after the drying.

Now already you will have that desired drawer whose positive result is proportional to the patience and dedication surrendered in its construction. An experienced manufacturer had possibly been able to sell him equally one or little more than what you have invested in his work, but it is better to prefix in this adventure the constructive desire that the economic one, and I don't say this to hide an undeniable saving but to remind him that everything in this world requires his time.

Germán Ocaña